



HORN SPEAKER

TC / TS SERIES



SEIKAKU TECHNICAL GROUP LIMITED
SEKAKU ELECTRON INDUSTRY (H.K.) CO. LTD.
No.1, Lane 17, Sec. 2, Han Shi West Road, Taichung, 401 TAIWAN
Tel:886-4-22313737 Fax:886-4-22346757
<http://www.show-pa.com> e-mail: sekaku@sekaku.com

All rights reserved to SEIKAKU. All features and content might be changed without prior notice. Any photocopy, translation, or reproduction of part of this manual without written permission is forbidden. Copyright ©2010 SEIKAKU Group

NF02198-1.1

www.show-pa.com

HORN SPEAKER

User's Manual

IMPORTANT!

**Please read this manual carefully before operating
this unit for the first time.**

All rights reserved to SHOW. All features and content might be changed without prior notice. Any photocopy, translation, or reproduction of part of this manual without written permission is forbidden.

Model	TC-1840CVY	TC-1860CVY
Type	Round(18")	Round(18")
Input power	Rated 40W	Rated 60W
Output power	10W/20W/40W	15W/30W/60W
Input Voltage	(100V/70V/50V)	(100V/70V/50V)
Input impedance	100V-1K /500 /250	100V-600 /333 /166.5
	70V-500 /250 /122.5	70V-333 /166.5 /81.5
	50V- 250 /122.5 /62.5	50V- 166.5 /81.5 /41.5
Frequency range	480Hz~5kHz (-10dB)	480Hz~5kHz (-10dB)
Sound pressure level at rated power	120dB (1W/M)	123dB (1W/M)
Ambient temperature range	25~+55	25~+55
Water-and dust protected	IP 65	IP 65
S.P.L	110dB (1W/M)	113dB (1W/M)
Connection	6 wire cable, 0.8m long	6 wire cable, 0.8m long
Material	Aluminum	Aluminum
Dimdnsions	466 x15mm	466 x15mm
Weight	2.79kg	2.93kg

Model	TC-2040CVY	TC-2060CVY
Type	Round(20")	Round(20")
Input power	Rated 40W	Rated 60W
Output power	10W/20W/40W	15W/30W/60W
Input Voltage	(100V/70V/50V)	(100V/70V/50V)
Input impedance	100V-1K /500 /250	100V-600 /333 /166.5
	70V-500 /250 /122.5	70V-333 /166.5 /81.5
	50V- 250 /122.5 /62.5	50V- 166.5 /81.5 /41.5
Frequency range	480Hz~5kHz (-10dB)	480Hz~5kHz (-10dB)
Sound pressure level at rated power	120dB (1W/M)	123dB (1W/M)
Ambient temperature range	25~+55C	25~+55C
Water-and dust protected	IP 65	IP 65
S.P.L	110dB (1W/M)	113dB (1W/M)
Connection	6 wire cable, 0.8m long	6 wire cable, 0.8m long
Material	Aluminum	Aluminum
Dimdnsions	516 x70mm	516 x70mm
Weight	3.0kg	3.14kg

1. HORN SPEAKER

Please read the instructions in details before you use, and follow the contents to do the most proper installation. After you have made the proper installation, please keep this instruction well for your references at any time.

If you would like to do any changes for the installation regarding this product, please must make sure if the specifications are correct or not. Otherwise, the incorrect installation will probably result in the permanent damage to this product, therefore, please use it with caution.

2. CAUTIONS:

- 2.1 Absolutely not to do the installation that exceeds the specifications of this products because it will result in affecting the life and the capacity with regard to this product.
- 2.2 Do not clean the appearance of the column speaker with an organic solvent or alcoholic detergent.
- 2.3 Do not repair or disassemble the product yourself if there is any damage or unusual situation, please should contact the person in charge of service immediately.

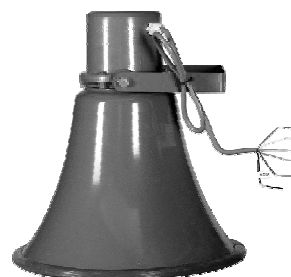
3. HOW TO USE

- 3.1 Careful attention should be required for the polarity when more than two speakers are in operation at the same place, otherwise the sound of poor quality and / or sound pressure of low level will be reproduced. Connection should be made in the same way as in the case of battery, same polarity with parallel connection and different polarity with series connection.
- 3.2 When long wiring is called for, the low impedance connection invites larger power loss, resulting in inefficient operation of speakers. In case wiring becomes longer than 50 meters, equip matching transformer and use with proper high impedance.
- 3.3 For low impedance connection, the total impedance of speakers should be equal to the output impedance of amplifier.
- 3.4 Connect the speakers to be equal the total input power (wattages) to the output power of amplifier for high impedance connection. It means the impedance matching.

4. TC/TS-XXCV SERIES

- 4.1 Please firstly confirm the system you connect is the output connection of 100V, 70V or 50V before you connect the voltage for this product. You should choose as the cables color on the speaker to the proper position. (as the following pictures)

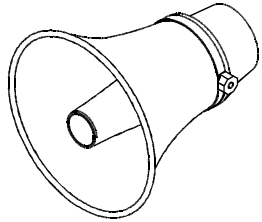
See instructions on HORN LABEL



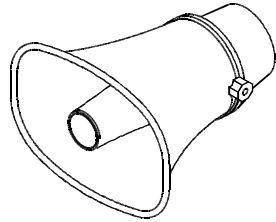
BLACK COM
BROWN 50V/40W
RED 70V/40W 50V/20W
ORANGE 100V/40W 70V/20W 50V/10W
GRAY 100V/20W 70V/10W
WHITE 100V/10W



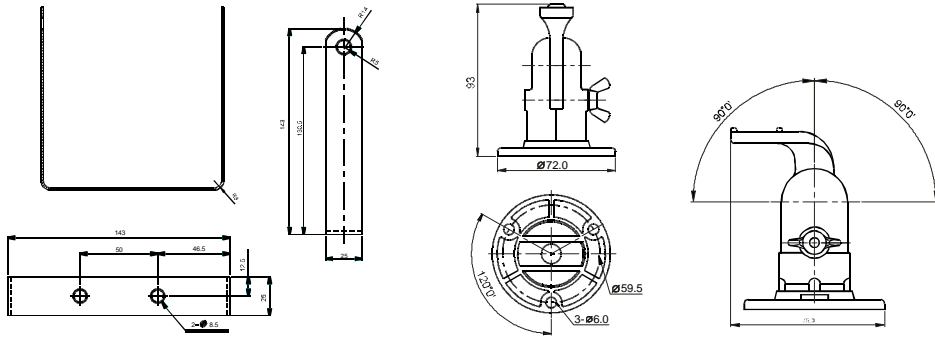
BLACK COM
BROWN 50V/60W
RED 70V/60W 50V/30W
ORANGE 100V/60W 70V/30W 50V/15W
GRAY 100V/30W 70V/15W
WHITE 100V/15W



H-Mouting Bracket



Y-Swivel Bracket



5. WARNING

" This product shall be installed by an expert. Before you install it, please turn off the power that connects to the amplifier to avoid getting an electric shock! "

5.1 Before you send the signal to the speaker, please confirm if the installation of the input voltage or the circuits is short or not because these will cause the damage of the speaker.

5.2 The end of input voltage on the speaker whose voltage shall be the same as the input voltage on your instrument.

Model	TS-1540CVY	TS-1560CVY
Type	Square(15")	Square(15")
Input power	Rated 40W	Rated 60W
Output power	10W/20W/40W	15W/30W/60W
Input Voltage	(100V/70V/50V)	(100V/70V/50V)
Input impedance	100V-1K /500 /250 70V-500 /250 /122.5 50V- 250 /122.5 /62.5	100V-600 /333 /166.5 70V-333 /166.5 /81.5 50V- 166.5 /81.5 /41.5
Frequency range	480Hz~5kHz (-10dB)	480Hz~5kHz (-10dB)
Sound pressure level at rated power	120dB (1W/M)	123dB (1W/M)
Ambient temperature range	25~+55	25~+55
Water-and dust protected	IP 65	IP 65
S.P.L	110dB (1W/M)	113dB (1W/M)
Connection	6 wire cable, 0.8m long	6 wire cable, 0.8m long
Material	Aluminum	Aluminum
Dimdnsions	380 x228 x400mm	380 x228 x400mm
Weight	2.84kg	2.98kg

Model	TC-1640CVY	TC-1660CVY
Type	Round(16")	Round(16")
Input power	Rated 40W	Rated 60W
Output power	10W/20W/40W	15W/30W/60W
Input Voltage	(100V/70V/50V)	(100V/70V/50V)
Input impedance	100V-1K /500 /250 70V-500 /250 /122.5 50V- 250 /122.5 /62.5	100V-600 /333 /166.5 70V-333 /166.5 /81.5 50V- 166.5 /81.5 /41.5
Frequency range	480Hz~5kHz (-10dB)	480Hz~5kHz (-10dB)
Sound pressure level at rated power	120dB (1W/M)	123dB (1W/M)
Ambient temperature range	25~+55	25~+55
Water-and dust protected	IP 65	IP 65
S.P.L	110dB (1W/M)	113dB (1W/M)
Connection	6 wire cable, 0.8m long	6 wire cable, 0.8m long
Material	Aluminum	Aluminum
Dimdnsions	416 x405mm	416 x405mm
Weight	2.7kg	2.84kg

6. INSTRUCTIONS OF APPLIANCE SPECIFICATION

Model	TC-1240CVY	TS-1240CVY
Type	Round(12")	Square(12")
Input power	Rated 40W	Rated 40W
Output power	10W/20W/40W	10W/20W/40W
Input Voltage	(100V/70V/50V)	(100V/70V/50V)
Input impedance	100V-1K /500 /250	100V-1K /500 /250
	70V-500 /250 /122.5	70V-500 /250 /122.5
	50V- 250 /122.5 /62.5	50V- 250 /122.5 /62.5
Frequency range	480Hz~5kHz (-10dB)	480Hz~5kHz (-10dB)
Sound pressure level at rated power	120dB (1W/M)	120dB (1W/M)
Ambient temperature range	25~+55	25~+55
Water-and dust protected	IP 65	IP 65
S.P.L	110dB (1W/M)	110dB (1W/M)
Connection	6 wire cable, 0.8m long	6 wire cable, 0.8m long
Material	Aluminum	Aluminum
Dimdnsions	316 x470mm	326 x499 x840mm
Weight	2.42kg	2.53kg

Model	TC-1260CVY	TS-1260CVY
Type	Round(12")	Square(12")
Input power	Rated 60W	Rated 60W
Output power	15W/30W/60W	15W/30W/60W
Input Voltage	(100V/70V/50V)	(100V/70V/50V)
Input impedance	100V-600 /333 /166.5	100V-600 /333 /166.5
	70V-333 /166.5 /81.5	70V-333 /166.5 /81.5
	50V- 166.5 /81.5 /41.5	50V- 166.5 /81.5 /41.5
Frequency range	480Hz~5kHz (-10dB)	480Hz~5kHz (-10dB)
Sound pressure level at rated power	123dB (1W/M)	123dB (1W/M)
Ambient temperature range	25~+55	25~+55
Water-and dust protected	IP 65	IP 65
S.P.L	113dB (1W/M)	113dB (1W/M)
Connection	6 wire cable, 0.8m long	6 wire cable, 0.8m long
Material	Aluminum	Aluminum
Dimdnsions	316 x470mm	326 x499 x840mm
Weight	2.56kg	2.67kg

Model	TC-1240CVH	TS-1240CVH
Type	Round(12")	Square(12")
Input power	Rated 40W	Rated 40W
Output power	10W/20W/40W	10W/20W/40W
Input Voltage	(100V/70V/50V)	(100V/70V/50V)
Input impedance	100V-1K /500 /250	100V-1K /500 /250
	70V-500 /250 /122.5	70V-500 /250 /122.5
	50V- 250 /122.5 /62.5	50V- 250 /122.5 /62.5
Frequency range	480Hz~5kHz (-10dB)	480Hz~5kHz (-10dB)
Sound pressure level at rated power	120dB (1W/M)	120dB (1W/M)
Ambient temperature range	25~+55	25~+55
Water-and dust protected	IP 65	IP 65
S.P.L	110dB (1W/M)	110dB (1W/M)
Connection	6 wire cable, 0.8m long	6 wire cable, 0.8m long
Material	Aluminum	Aluminum
Dimdnsions	316 x840mm	326 x499 x840mm
Weight	2.18kg	2.29kg

Model	TC-1260CVH	TS-1260CVH
Type	Round(12")	Square(12")
Input power	Rated 60W	Rated 60W
Output power	15W/30W/60W	15W/30W/60W
Input Voltage	(100V/70V/50V)	(100V/70V/50V)
Input impedance	100V-600 /333 /166.5	100V-600 /333 /166.5
	70V-333 /166.5 /81.5	70V-333 /166.5 /81.5
	50V- 166.5 /81.5 /41.5	50V- 166.5 /81.5 /41.5
Frequency range	480Hz~5kHz (-10dB)	480Hz~5kHz (-10dB)
Sound pressure level at rated power	123dB (1W/M)	123dB (1W/M)
Ambient temperature range	25~+55	25~+55
Water-and dust protected	IP 65	IP 65
S.P.L	113dB (1W/M)	113dB (1W/M)
Connection	6 wire cable, 0.8m long	6 wire cable, 0.8m long
Material	Aluminum	Aluminum
Dimdnsions	316 x840mm	326 x499 x840mm
Weight	2.31kg	2.43kg

Model	TS-1540CVH	TS-1560CVH
Type	Square(15")	Square(15")
Input power	Rated 40W	Rated 60W
Output power	10W/20W/40W	15W/30W/60W
Input Voltage	(100V/70V/50V)	(100V/70V/50V)
Input impedance	100V-1K /500 /250	100V-600 /333 /166.5
	70V-500 /250 /122.5	70V-333 /166.5 /81.5
	50V- 250 /122.5 /62.5	50V- 166.5 /81.5 /41.5
Frequency range	480Hz~5kHz (-10dB)	480Hz~5kHz (-10dB)
Sound pressure level at rated power	120dB (1W/M)	123dB (1W/M)
Ambient temperature range	25~+55	25~+55
Water-and dust protected	IP 65	IP 65
S.P.L	110dB (1W/M)	113dB (1W/M)
Connection	6 wire cable, 0.8m long	6 wire cable, 0.8m long
Material	Aluminum	Aluminum
Dimdnsions	380 \times 228 \times 400mm	380 \times 228 \times 400mm
Weight	2.60kg	2.74kg

Model	TC-1840CVH	TC-1860CVH
Type	Round(18")	Round(18")
Input power	Rated 40W	Rated 60W
Output power	10W/20W/40W	15W/30W/60W
Input Voltage	(100V/70V/50V)	(100V/70V/50V)
Input impedance	100V-1K /500 /250	100V-600 /333 /166.5
	70V-500 /250 /122.5	70V-333 /166.5 /81.5
	50V- 250 /122.5 /62.5	50V- 166.5 /81.5 /41.5
Frequency range	480Hz~5kHz (-10dB)	480Hz~5kHz (-10dB)
Sound pressure level at rated power	120dB (1W/M)	123dB (1W/M)
Ambient temperature range	25~+55	25~+55
Water-and dust protected	IP 65	IP 65
S.P.L	110dB (1W/M)	113dB (1W/M)
Connection	6 wire cable, 0.8m long	6 wire cable, 0.8m long
Material	Aluminum	Aluminum
Dimdnsions	466 \times 15mm	466 \times 15mm
Weight	2.55kg	2.69kg

Model	TC-1640CVH	TC-1660CVH
Type	Round(16")	Round(16")
Input power	Rated 40W	Rated 60W
Output power	10W/20W/40W	15W/30W/60W
Input Voltage	(100V/70V/50V)	(100V/70V/50V)
Input impedance	100V-1K /500 /250	100V-600 /333 /166.5
	70V-500 /250 /122.5	70V-333 /166.5 /81.5
	50V- 250 /122.5 /62.5	50V- 166.5 /81.5 /41.5
Frequency range	480Hz~5kHz (-10dB)	480Hz~5kHz (-10dB)
Sound pressure level at rated power	120dB (1W/M)	123dB (1W/M)
Ambient temperature range	25~+55	25~+55
Water-and dust protected	IP 65	IP 65
S.P.L	110dB (1W/M)	113dB (1W/M)
Connection	6 wire cable, 0.8m long	6 wire cable, 0.8m long
Material	Aluminum	Aluminum
Dimdnsions	416 \times 405mm	416 \times 405mm
Weight	2.46kg	2.60kg

Model	TC-2040CVH	TC-2060CVH
Type	Round(20")	Round(20")
Input power	Rated 40W	Rated 60W
Output power	10W/20W/40W	15W/30W/60W
Input Voltage	(100V/70V/50V)	(100V/70V/50V)
Input impedance	100V-1K /500 /250	100V-600 /333 /166.5
	70V-500 /250 /122.5	70V-333 /166.5 /81.5
	50V- 250 /122.5 /62.5	50V- 166.5 /81.5 /41.5
Frequency range	480Hz~5kHz (-10dB)	480Hz~5kHz (-10dB)
Sound pressure level at rated power	120dB (1W/M)	123dB (1W/M)
Ambient temperature range	25~+55	25~+55
Water-and dust protected	IP 65	IP 65
S.P.L	110dB (1W/M)	113dB (1W/M)
Connection	6 wire cable, 0.8m long	6 wire cable, 0.8m long
Material	Aluminum	Aluminum
Dimdnsions	516 \times 470mm	516 \times 470mm
Weight	2.76kg	2.90kg