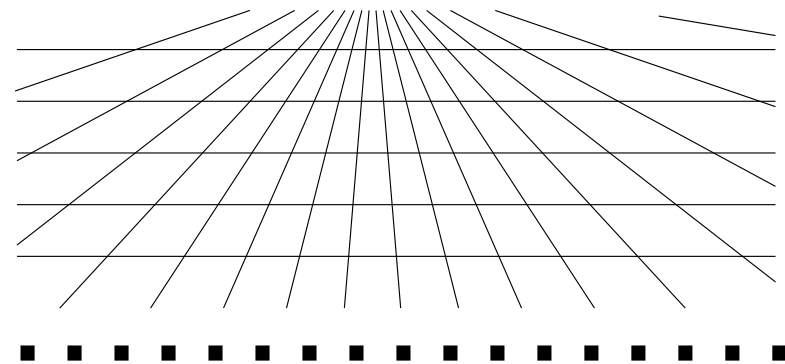


**PENDANT SPHERE
LOUDSPEAKER**

**INSTRUCTION
MANUAL**



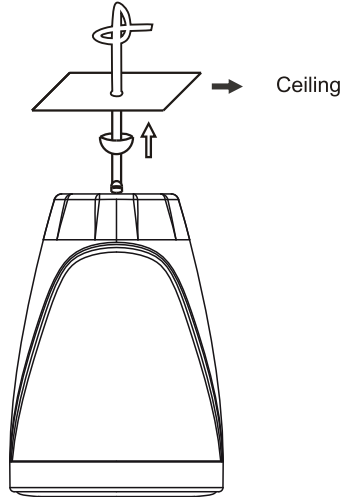
NSP-5/NSP-6



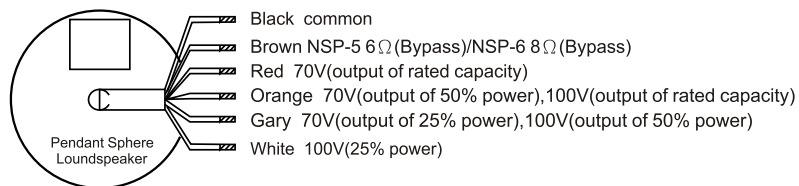
Pendant Sphere Loudspeaker NSP-5/NSP-6

Installation procedures:

1. First, please drill a 7-8mm round hole into the ceiling, and then insert the loudspeaker cable through the attached cover, which is for hiding the hole. Adjust the cable to an appropriate length (i.e. the height of the loudspeaker) and take it through the hole in the ceiling and then tie a knot to fix it. Press the cover to the end to set the loudspeaker.



2. Choose the required input voltage and output power for connection to the facility. As to the detailed specifications, they can be referred to the instruction on the loudspeaker itself and the following specifications of the product:
The connecting instruction for the product in use



Product specifications :

Model	NSP-5 Pendant Sphere Loudspeaker	NSP-6 Pendant Sphere Loudspeaker
Build-in Speaker	A 5" full-range Paper speaker	A 6.5" full-range Paper speaker
Input Power	Rated 20W/Max.40W	Rated 30W/Max.60W
Output Power	5W/10W/20W/Bypass	7.5W/15W/30W/Bypass
Input Impedance	(100V):2KΩ/1KΩ/500Ω	(100V):1.33KΩ/666Ω/333Ω
	(70V):1KΩ/500Ω/250Ω	(70V):666Ω/333Ω/163Ω
	Bypass 6Ω	Bypass 8Ω
Input Voltage	70V/100V	70V/100V
Frequency	130~20KHz (-10dB)	110~20.000Hz (-10dB)
Output Sound Pressure & Voltage	89 dB(1W/M)	90 dB(1W/M)
Dimension	φ 154*218.5mm	φ 203*288mm
Weight	1.8Kg/3.97LBS	2.8Kg/6.17LBS

Measure: mm

