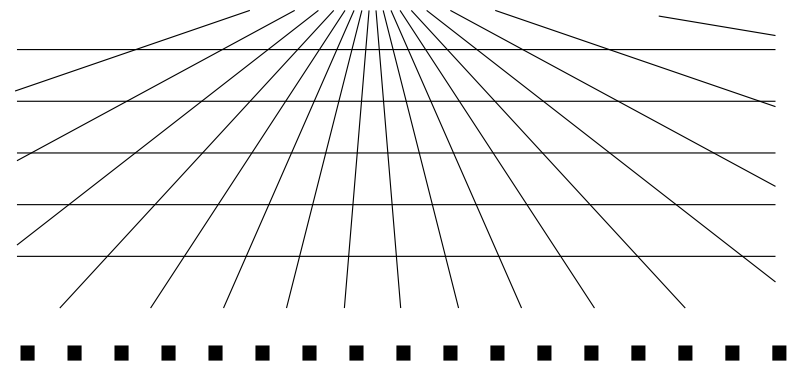


**PROJECTOR SPEAKER
WATER-PROOF**

**INSTRUCTION
MANUAL**



NPJ-5/NPJ-5D



WATERPROOF PROJECTOR SPEAKER

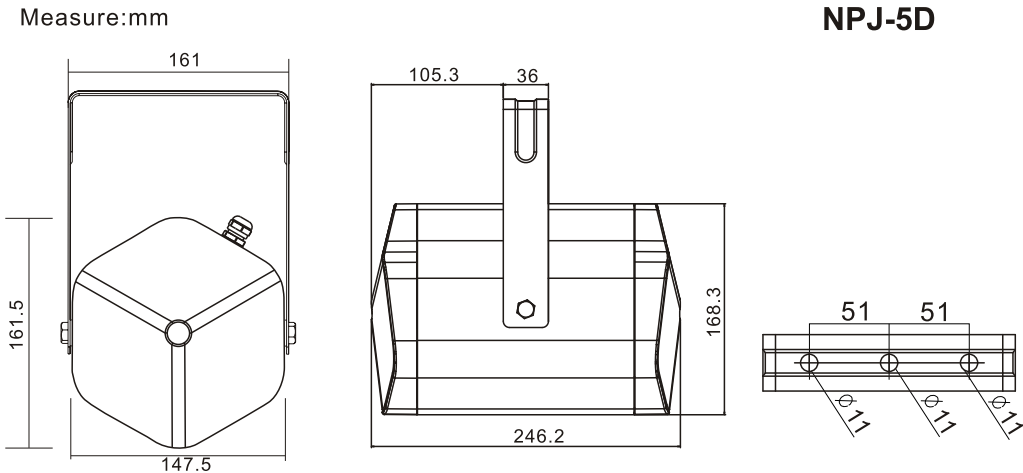
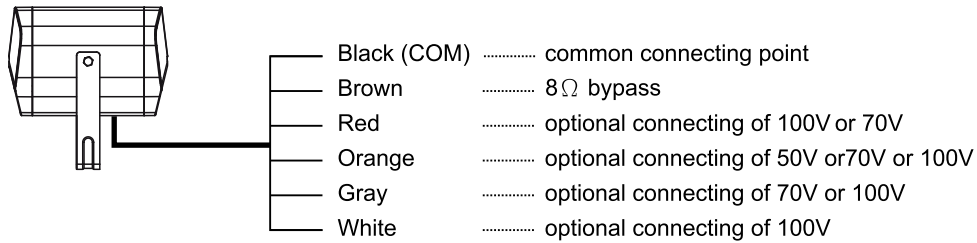
NPJ-5/NPJ-5D

Please read this manual of instructions carefully prior to installation. Comply with the instructions for proper set-up and operation. Please take proper care of this manual for handy reference in the future.

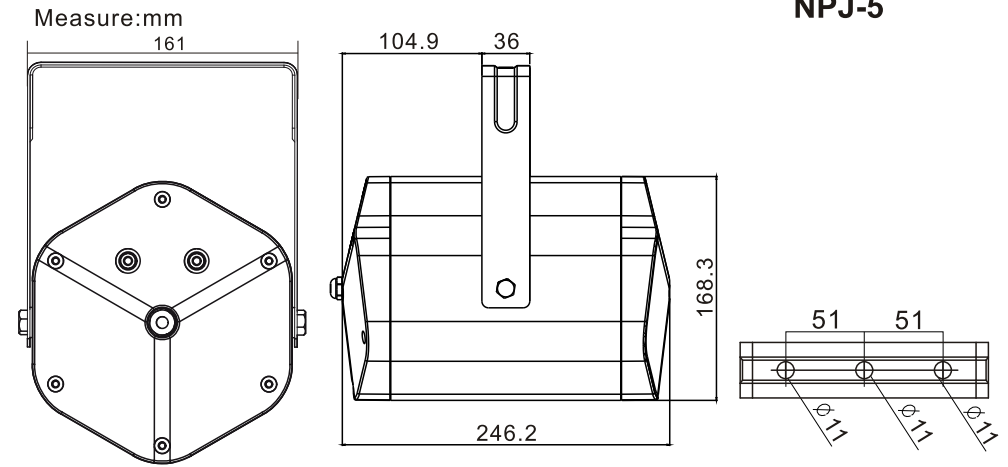
Notes:

1. Never install this product onto a motor vehicle.
2. Never operate this product beyond its specifications, which might influence its life span as well as performance.

Choice of input voltage



1



NPJ-5

Caution: Wrong voltage input set-up might cause damage of the speaker.

Model	NPJ-5(IP55)	NPJ-5D(IP55)
Paper Speaker Inside	1×5.5",8Ω20w Paper material speakers	2×5.5",8Ω20w Paper material speakers
Input power	5W / 10W / 20W	5W / 10W / 20W
Output power	(100V):2KΩ/1KΩ/500Ω (70V): 1KΩ/500Ω/250Ω	(100V):2KΩ/1KΩ/500Ω (70V): 1KΩ/500Ω/250Ω
Input Voltage	70V / 100V	70V / 100V
Frequency(-10dB)	130-20,000Hz	110-20,000Hz
Output sound Pressure & Voltage	89dB (1W / M)	89dB (1W / M)
Material	ABS	ABS
Opening Angle (at 1kHz/4kHz)	130°C/40°C (-6dB)	160°C/80°C (-6dB)
Dimension	φ 168.3×246.2 mm(6.6"×9.6")	φ 168.3×246.2 mm(6.6"×9.6")

2