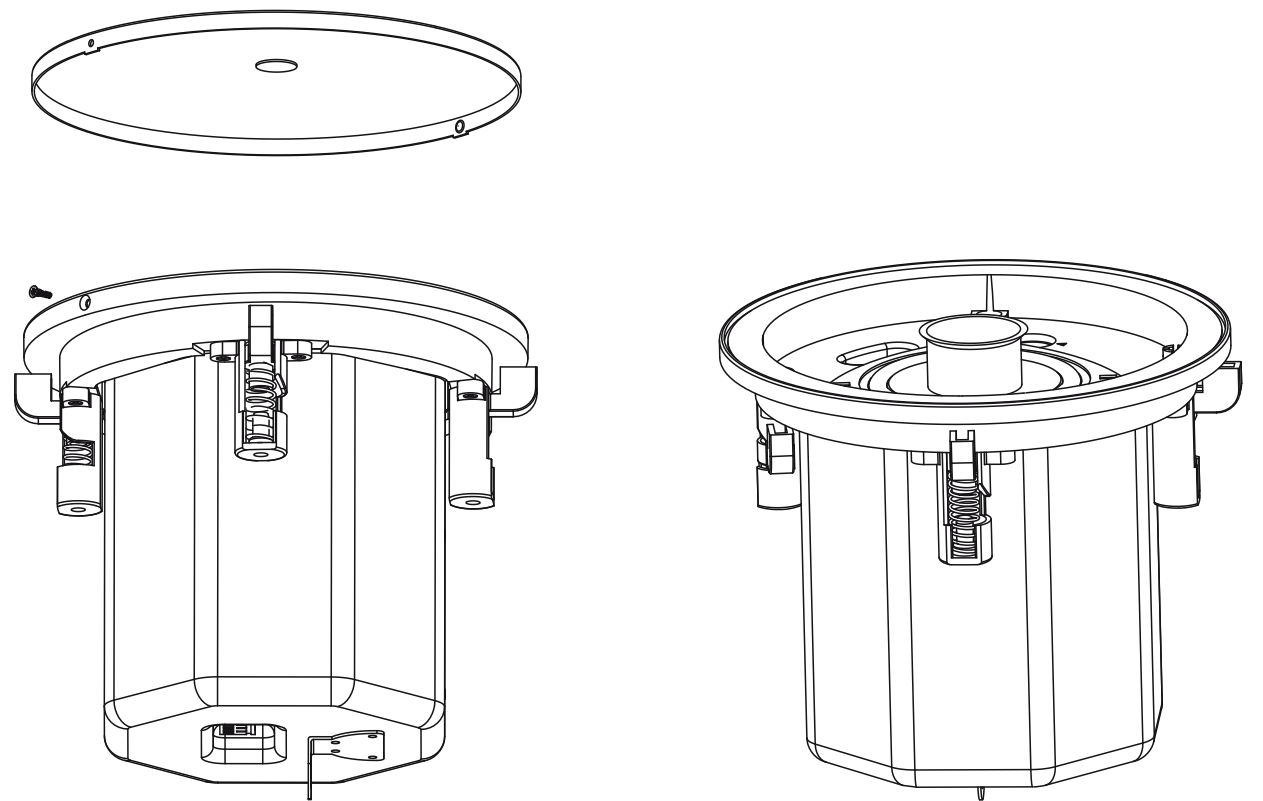


# Ceiling Loudspeaker Instruction Manual



English

---

Table of contents

---

1. Points for Attention.....	1
2. Introduction.....	2
3. Features Description.....	3
4. Prepared for Installation.....	4
5. Installation Steps.....	5-7
6. Technical Specifications.....	8

## 6. Technical Specifications

Model	NCL-4 Ceiling loudspeaker	NCL-6 Ceiling loudspeaker
Built-in Speaker	one 4"(105mm)woofer speaker one piece 3/4"(19mm)tweeter speaker	one 6.5"(160.6mm)woofer speaker one 3/4"(19mm)tweeter speaker
Input Power	rated 20W max 30W	rated 30W max 60W
Output Power	3.7W/7.5W/15W/30W	7.5W/15W/30W/60W
Input Impedance	1.327K $\Omega$ /656 $\Omega$ /328 $\Omega$ /164 $\Omega$ and 16 $\Omega$ bypass	656 $\Omega$ /328 $\Omega$ /164 $\Omega$ /82 $\Omega$ and 16 $\Omega$ bypass
Input Voltage	70/100V	70/100V
Frequency Response	100-20,000HZ(-10dB)	65-20,000HZ
Output Sound Pressure & Voltage	86dB(1M/W)	88dB(1M/W)
Mounting	Dog ear flip tabs	Dog ear flip tabs
Connection	Removable screw terminal w/loop through output	Removable screw terminal w/loop through output
Included Accessories	C-shaped support plate & tile support rails	C-shaped support plate & tile support rails
Material	ABS	ABS
Opening Angle (at 1kHz/4kHz)	120 $^{\circ}$ /85 $^{\circ}$ (-6dB)	120 $^{\circ}$ /85 $^{\circ}$ (-6dB)
Ceiling mounting hole	$\phi$ 185mm	$\phi$ 225mm
Dimension(DxP)	$\phi$ 214 x209mm	$\phi$ 252 x209.5mm
Net weight	2.46KG / 5.42LBS	3.33KG / 7.34LBS

## 1. Points for attention

1.1 Please read through this instruction manual before operating the NCL series ceiling loudspeakers, so you will know how to set and operate your model properly. After you have finished reading the instruction manual, put it away in a safe place for future reference.

Caution: the fault setting will permanently damage your apparatus.

1.2 Don't operate your NCL ceiling loudspeaker over the setting specification, or it will affect the apparatus's life span and performance.

1.3 Don't use solvents or ethanol to clean your NCL ceiling loudspeaker.

1.4 Don't open the unit for repaired by yourself. No user serviceable parts inside. Please refer servicing to qualified service personnel.

Thank you very much for expressing your confidence in our products by purchasing CSL series ceiling loudspeakers. In order to get the best out of your ceiling loudspeaker, please go through this instruction carefully.

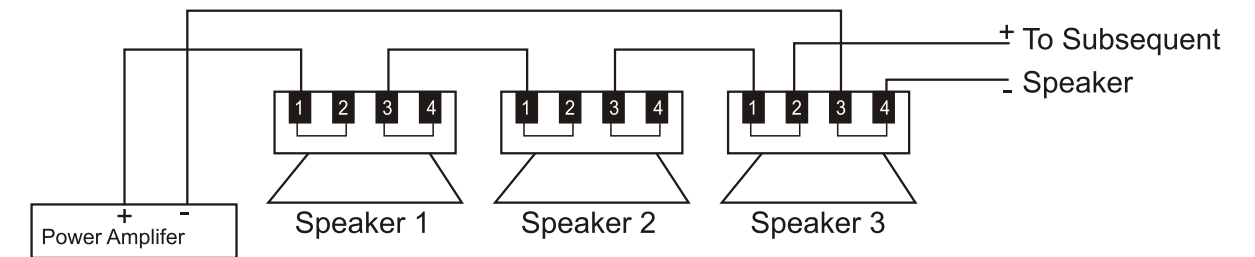
## 2. Introduction

NCL-4 make use of the innovative design and high quality materials to supply the ceiling loudspeaker with compact appearance and excellent performance. The NCL-4 is a compact indoor ceiling loudspeaker, which contains a coaxial 4" woofer and 3/4" titanium-coated tweeter. It provides the high fidelity full-range sound over an extremely wide coverage area, you can randomly select the output power 70V or 100V by the tap selector on the panel of according to your requirement.

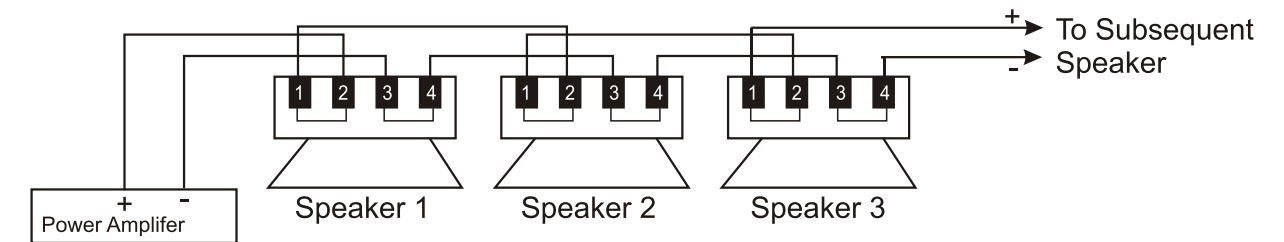
NCL-6 make use of the innovative design and materials to supply the ceiling loudspeaker with excellent performance. The NCL-6 is a large indoor ceiling loudspeaker, which contains a coaxial 6.5" woofer and 3/4" titanium-coated tweeter. It provides the high fidelity full-range sound over an extremely wide coverage area, you can randomly select the output power 70V or 100V by the tap selector on the panel of NCL-6 according to your requirement.

Appendix: the following figures describe the possible series/parallel connecting modes.

Series mode:

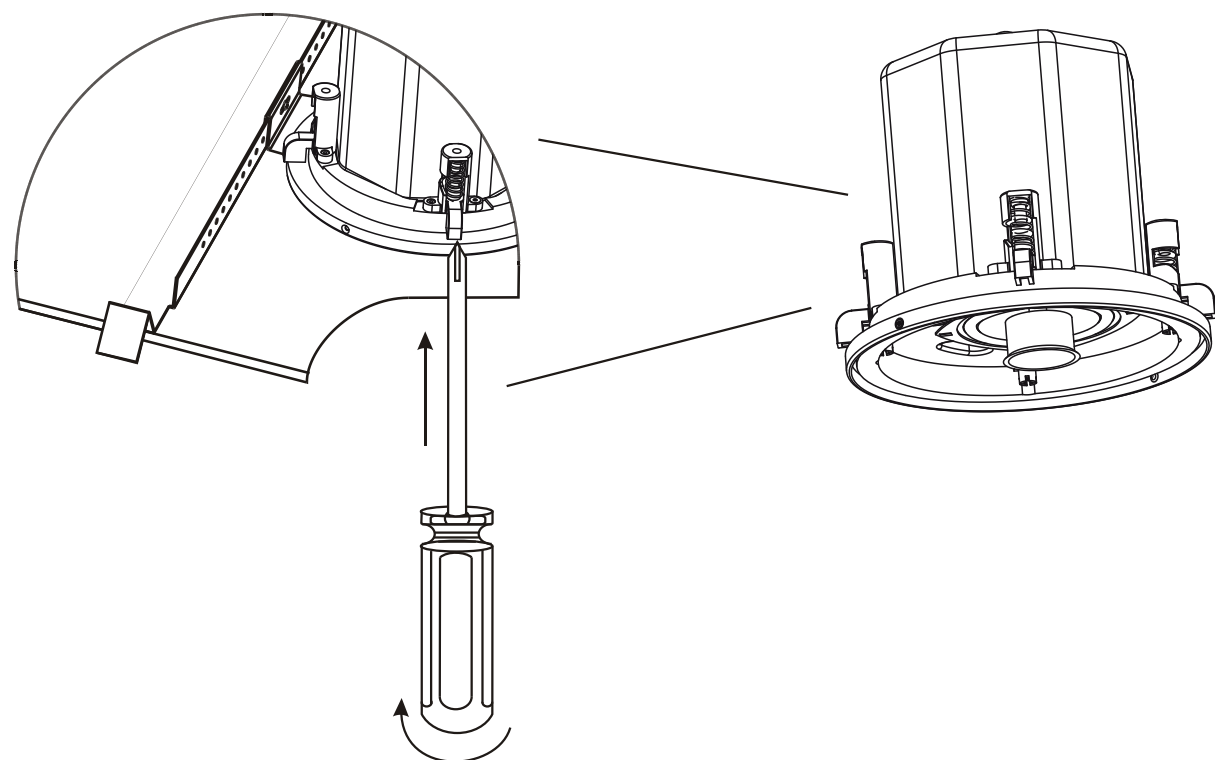


Parallel mode:



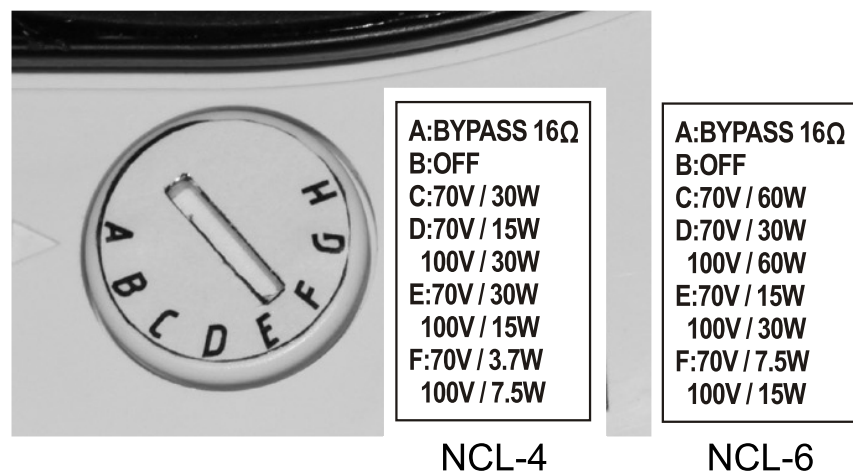
5.4 After the step 3, rotating the mounting tabs to lock the unit at the specified place.

The further details are as follows;

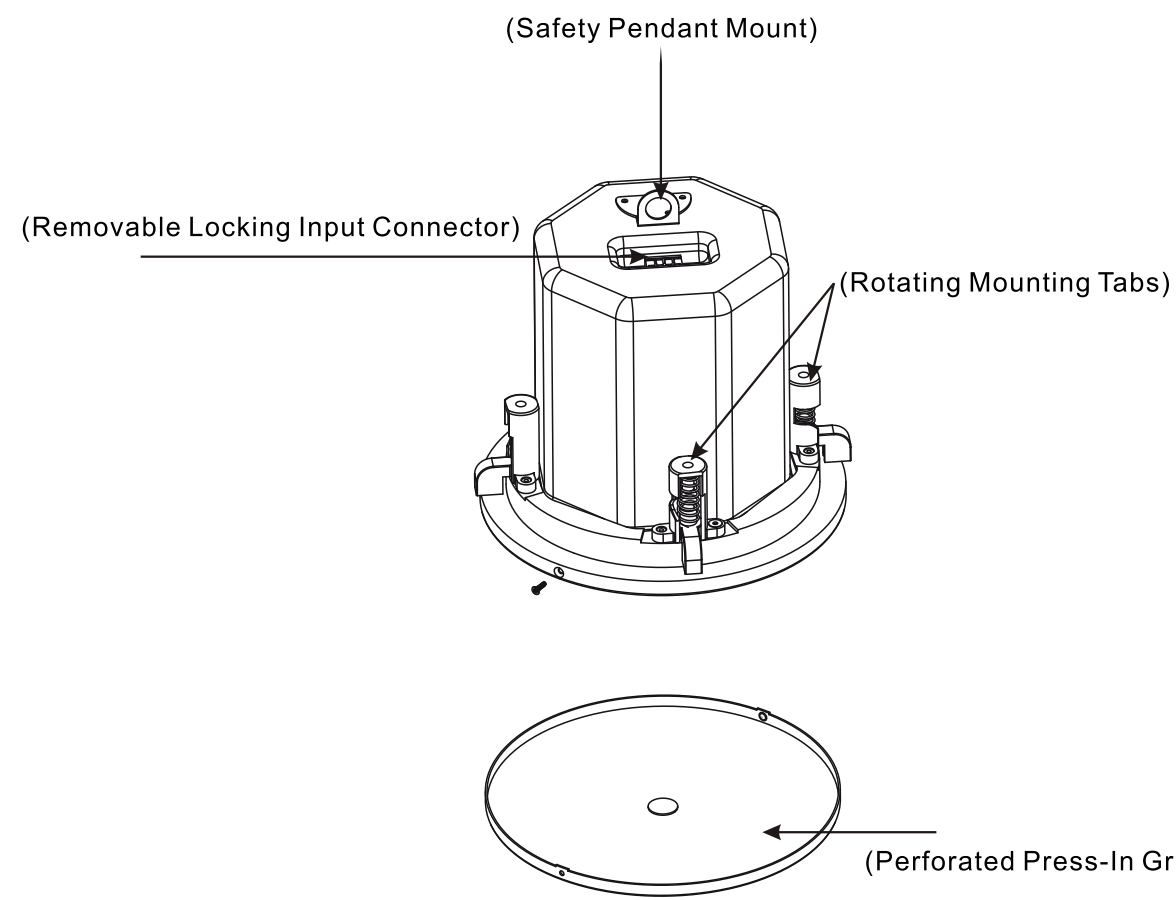
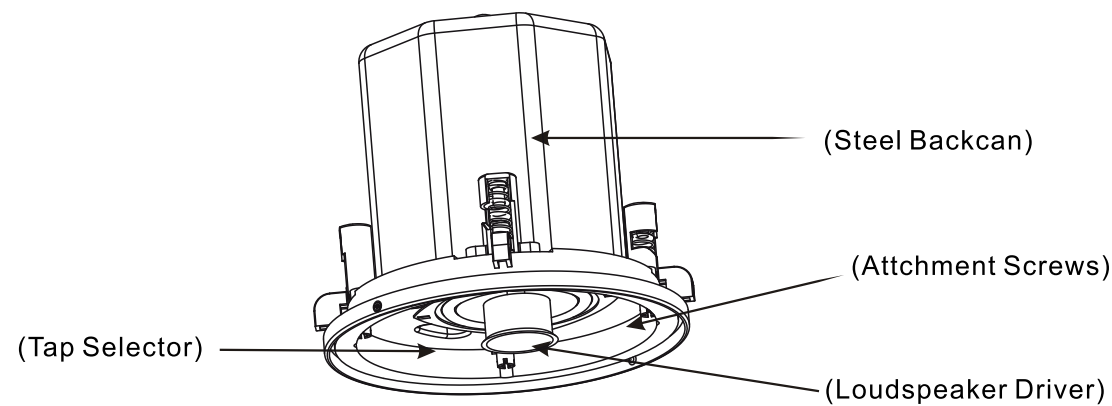


5.5 Then, you should select the required output power via the tap selector on panel.

Finally, install the perforated press-in grille for ending the installation.



### 3. Features Description



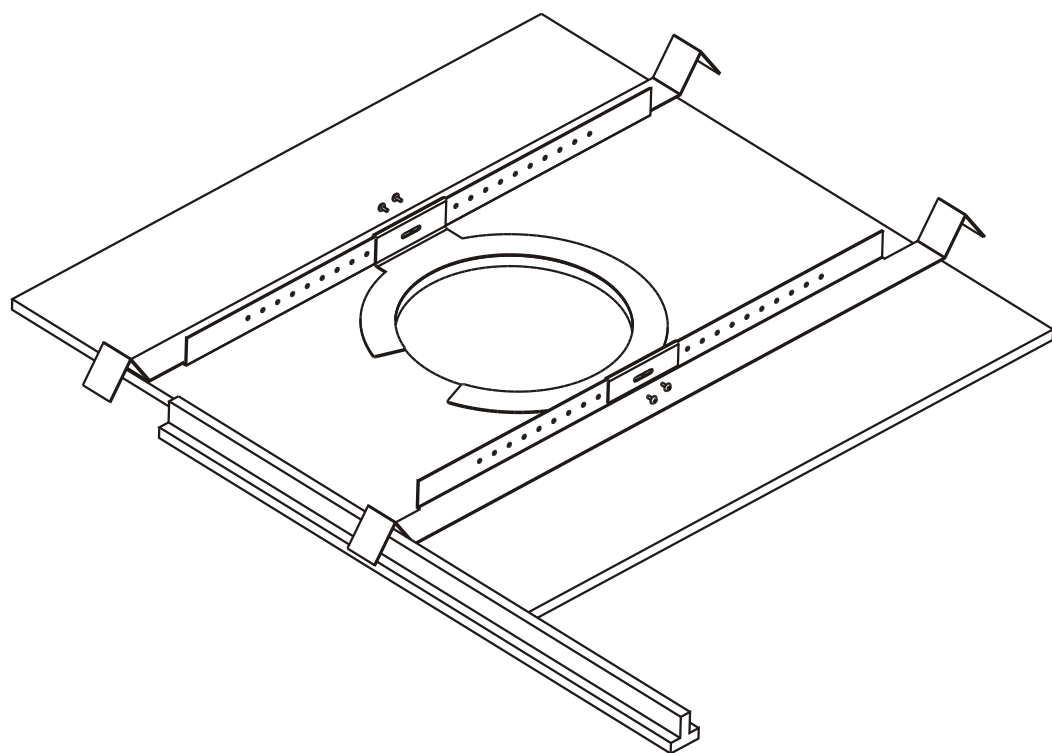
#### 4. Prepared for Installation

It is easy to install your NCL series products at a proper place of ceiling in safety way. If necessary, you can make use of the attached "C" bracket and slid track to match up your installation, then rotating the mounting tabs to lock.

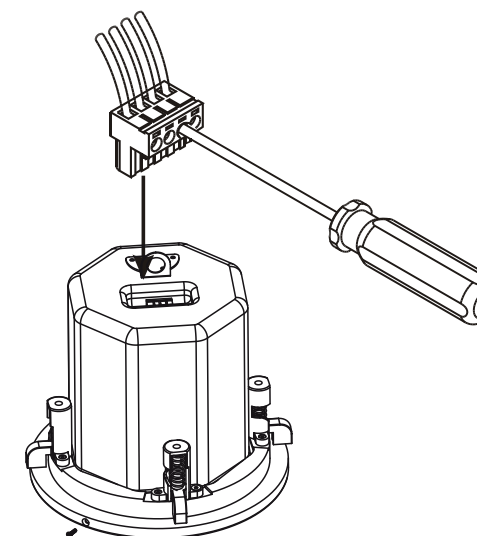
Installation accessories: "C" bracket, slid track.

#### 5. Installation Steps

5.1 First, drill a round hole into the ceiling in accordance with the dimension of "C" bracket, then use the slid track to mount the "C" bracket on ceiling. The further details are as follows:



5.2 Please remove the removable locking input connector of NCL-4/NCL-6 and then finish the wiring work before installing your unit. The further details are as follows:



5.3 After the step1 and 2, put the unit into the ceiling round hole after inserting the input connector into the connecting socket of NCL-4/NCL-6. The further details are as follows:

