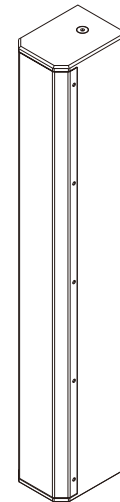


QMC[®]

User's Manual

COLUMN ARRAY SPEAKER

L3x4



Please read the instructions in details before you use, and follow the contents to do the most proper installation. After you have made the proper installation, please keep this instruction well for your references at any time.

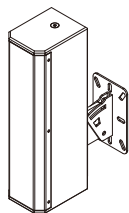
If you would like to do any changes for the installation regarding this product, please must make sure if the specifications are correct or not. Otherwise, the incorrect installation will probably result in the permanent damage to this product, therefore, please use it with cautions.

Cautions:

1. Absolutely not to do the installation that exceeds the specifications of this products because it will result in affecting the life and the capacity with regard to this product.
2. Keep away from the place that wets in rain directly if installing at outside.
3. Do not clean the appearance of the column speaker with an organic solvent or alcoholic detergent.
4. Do not repair or disassemble the product yourself if there is any damage or unusual situation, please should contact the person in charge of service immediately.

INTRODUCTION

This series is a professional column array speaker. With 1.0mm mesh and 0.8mm grille, it can effectively protect unit from external damage and prevent dust into the speaker. Cabinet is made by plywood with light weight and solid structure. Cabinet surface is sprayed fine sand paint to make delicate. touch. 4 pieces 3" full-range horn unit with linear paper cone, cloth surrounding can achieve high sensitivity. The system apply power transformers to switch power, effectively protect the units. To prevent high power input signal damage units, they can be used in parallel to avoid causing damage to the PA amplifier with low impedance. Locked bracket screws to fixed plate inside cabinet. The fixing plate with 3 mm thick iron can effective decompose the bracket pull force.



4 x 3inch

TECHNICAL SPECIFICATIONS

Model Passive	4 x 3inch
System Type	Column Array Speaker
Input Voltage	70V/100V
Transformer selectable Power	5W /10W /20W / 40W
Power capacity (8Ω)	60W RMS, 120W Program
System Impedance	70V 1000Ω / 500Ω / 250Ω / 125Ω 100V 2000Ω / 1000Ω / 500Ω / 250Ω
Sensitivity (1w/1M)	93dB
Max SPL(1M)	114dB (calculated by 8ohms)
Frequency Response(-6dB)	180Hz-18KHz
Speaker	4×3" full range speaker,20mm Voice Coil
Angle of coverage(HxV)	90°x 20° @ 4 kHz
Connect	Phoenix
Enclosure Construction	Plywood cabiner, resistant paint, 0.8mm metal grille
Suspension/Mounting	6×M8 Points For Mounting
Dimensions(H×W×D)	378mm(14.8")×98mm(3.9")×130mm(5.1")
Net weight	4.4KG/9.7Lbs

To reduce the risk of fire or electric shock, do not expose this apparatus to rain or moisture.

Do not use this apparatus near water. Install in accordance with the manufacture-r's instructions. Do not install near any heat sources such as radiators, heat registers, stoves, or other apparatus (including amplifiers) that produce heat. Do not block any ventilation openings.

No naked flame sources, such as lighted candles, should be placed on the apparatus.

IMPORTANT SAFETY INSTRUCTIONS

- Read these instructions.
- Follow all instructions.
- Keep these instructions.
- Heed all warnings.
- Only use attachments/accessories specified by the manufacturer.

BACK PANEL DESCRIPTION

4 x 3inch

1 POWER SELECTIONS

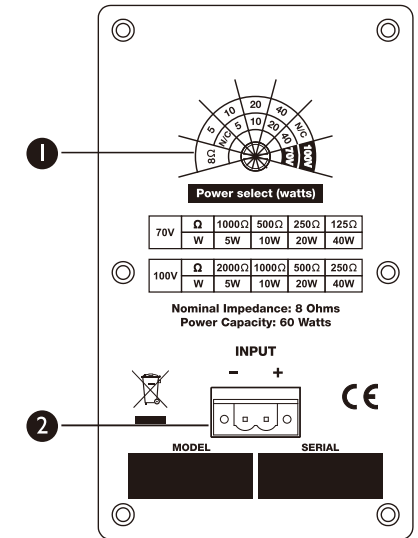
1) Do not use the tap for 70V input



2) Do not use the tap for 100V input

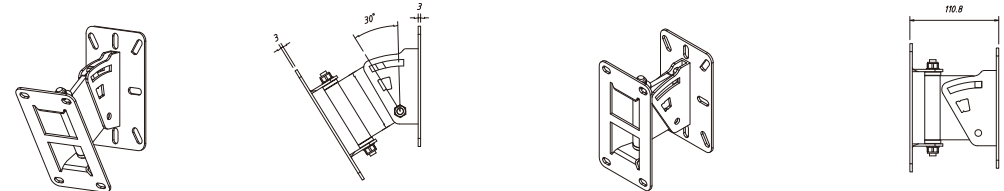


2 INPUT



ACCESSORY

- 180° x 30° bracket

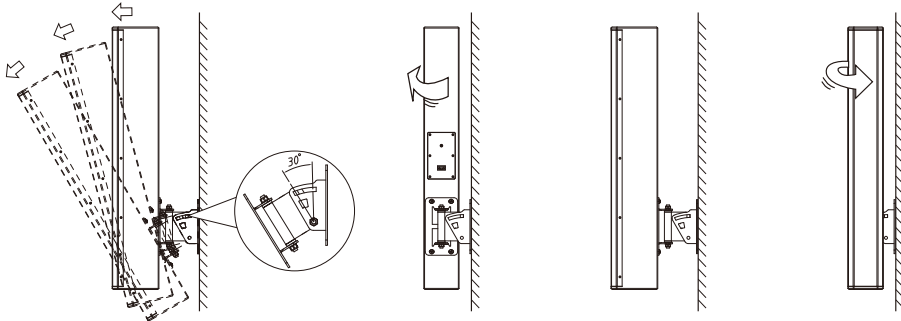


INSTALLATION

4 x 3inch speaker

- 1) Make sure the expansion screws of mounting brackets can firmly support the product weight before installation to avoid causing the injuries of the facilities and a worker if there is a falling.
- 2) Make sure the bracket is installed in vertical position and install expansion screw in the identified location.
- 3) Lock the bracket (in attached) to the wall enough tightly and ensure it's vertical between bracket and wall.
- 4) Remove the 6*M8 screws on back of column and fix it to the racket via the screws(in attached). Please make the column straight and firmly locked.
- 5) Adjust the column to appropriate angle with bracket adjustable angle vertical $0^{\circ} \sim 30^{\circ}$, horizon $-90^{\circ} \sim 90^{\circ}$.
- 6) Please first confirm the system you connected output of 100V, 70V. And adjust band switch to the correct position, also the input signal must be connected correctly.

• 180° x 30° bracket (angle vertical $0^{\circ} \sim 30^{\circ}$, horizon $-90^{\circ} \sim 90^{\circ}$)



SYSTEM CONNECTION PLATE

CHI/CH2 loaded with 70V, dual channel input:

1. Select "MONO/DUAL" at "DUAL" position, dual channel input;
2. CHI/CH2 output select at "70V" position, both loaded with rated 70V speaker;
3. Select "L/H CUT" at "ON" position, to prevent low frequency protection and improve the transmission efficiency. Applicable to Public Address System.

CHI/CH2 loaded with 100V, dual channel input:

1. Select "MONO/DUAL" at "DUAL" position, dual channel input;
2. CHI/CH2 output select at "100V" position, both loaded with rated 100V speaker;
3. Select "L/H CUT" at "ON" position, to prevent low frequency protection and improve the transmission efficiency. Applicable to Public Address System;

