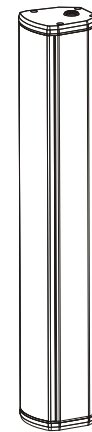




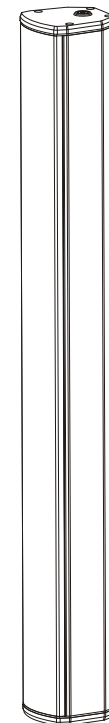
THE UNIVERSE OF INSTALLATION

# User's Manual

## COLUMN ARRAY SPEAKERS



**CBS-304W**



**CBS-308W**



SHOW® is a registered trademark of  
SEIKAKU TECHNICAL GROUP LIMITED

**SEIKAKU TECHNICAL GROUP LIMITED**

NO.1 LANE 17, SEC.2, HAN SHI WEST ROAD, TAICHUNG 40151, TAIWAN

tel: 886-4-22313737 - fax: 886-4-22346757

**INDEX**

<b>01 SAFETY RELATED SYMBOLS</b> .....	<b>1</b>
<b>02 WARNING</b> .....	<b>1</b>
<b>03 IMPORTANT SAFETY INSTRUCTIONS</b> .....	<b>2</b>
<b>04 INTRODUCTION</b> .....	<b>3</b>
<b>05 SYSTEM CONNECTION PLATE</b> .....	<b>4</b>
<b>06 INTRODUCTION</b> .....	<b>6</b>
<b>07 BACK PANEL DESCRIPTION</b> .....	<b>6</b>
<b>08 INSTALLATION</b> .....	<b>7</b>
<b>09 TECHNICAL SPECIFICATIONS</b> .....	<b>8</b>
<b>10 TECHNICAL SPECIFICATIONS</b> .....	<b>9</b>

**TECHNICAL SPECIFICATIONS**

Model Passive	CBS-308W
System Type	Column Array Speaker
Input Voltage	70V / 100V
Transformer Selectable Power	7.5W / 15W / 30W / 60W
System Impedance	70V 667Ω / 333Ω / 167Ω / 83Ω
	100V 1333Ω / 667Ω / 333Ω / 167Ω
Sensitivity (1W/1M)	95dB
Maximum SPL@1M	114dB
Frequency Response(-6dB)	150Hz-19kHz
Transducer Low	8 x 3" Full Range Speaker
Transducer High	1x Neodymium HF Driver
Angle of Coverage(-6dB)	150°H x (+12° - -24°)V
Connection	Polyvinyl chloride insulated cabtyre cable (6.5mm in diameter)
Enclosure Construction	Extruded Aluminum enclosure, Resistant Paint, Paint Grille
Suspension / Mounting	4 x M5 Points for Mounting
Dimensions (HxWxD)	784x90.3x93.2mm(30.87"x3.56"x3.67")
Net Weight	4.2Kg (9.26 lbs)

**IMPORTANT!**

**Please read this manual carefully before operating this unit for the first time.**

All rights reserved to SEIKAKU. All features and content might be changed without prior notice. Any photocopy, translation, or reproduction of part of this catalogue without written permission is forbidden. Copyright © 2009 SEIKAKU GROUP

**TECHNICAL SPECIFICATIONS**

Model Passive	CBS-304W
System Type	Column Array Speaker
Input Voltage	70V / 100V
Transformer Selectable Power	5W / 10W / 20W / 40W
System Impedance	70V 1000Ω / 500Ω / 250Ω / 125Ω
	100V 2000Ω / 1000Ω / 500Ω / 250Ω
Sensitivity (1W/1M)	92dB
Maximum SPL@1M	111dB
Frequency Response(-6dB)	160Hz-19kHz
Transducer Low	4 x 3" Full Range Speaker
Transducer High	1 x Neodymium HF Driver
Angle of Coverage(-6dB)	140°H x(+18° -27°)V
Connection	Polyvinyl chloride insulated cabtyre cable (6.5mm in diameter)
Enclosure Construction	Extruded Aluminum enclosure, Resistant Paint, Paint Grille
Suspension / Mounting	4 x M5 Points for Mounting
Dimensions (HxWxD)	456x90.3x93.2mm(17.95"x3.56"x3.67")
Net Weight	2.8Kg (6.17 lbs)

**SAFETY RELATED SYMBOLS**


The symbol is used to indicate that some hazardous live terminals are involved within this apparatus, even under the normal operating conditions.



The symbol is used in the service documentation to indicate that specific component shall be only replaced by the component specified in that Documentation for safety reasons.



Protective grounding terminal.



Alternating current /voltage.



Hazardous live terminal .



ON: Denotes the apparatus turns on.



OFF: Denotes the apparatus turns off, because of using the single pole switch, be sure to unplug the AC power to prevent any electric shock before you proceed your service.

**WARNING:** Describes precautions that should be observed to prevent the danger of injury or death to the user.



Disposing of this product should not be placed in municipal waste and should be separate collection.

**CAUTION:** Describes precautions that should be observed to prevent danger of the apparatus.

**WARNING**
**• Power Supply**

Ensure the source voltage matches the voltage of the power supply before turning ON the apparatus.

Unplug this apparatus during lightning storms or when unused for long periods of time.

**• External Connection**

The external wiring connected to the output hazardous live terminals requires installation by an instructed person, or the use of ready-made leads or cords.

**• Do not Remove any Cover**

There are maybe some areas with high voltages inside, to reduce the risk of electric shock, do not remove any cover if the power supply is connected.

The cover should be removed by the qualified personnel only.

No user serviceable parts inside.

**• Fuse**

To prevent a fire, make sure to use fuses with specified standard (current, voltage, type). Do not use a different fuse or short circuit the fuse holder.

Before replacing the fuse, turn OFF the apparatus and disconnected the power source.

**• Protective Grounding**

Make sure to connect the protective grounding to prevent any electric shock before turning ON the apparatus.

Never cut off the internal or external protective grounding wire or disconnect the wiring of protective grounding terminal.

**• Operating Conditions**

This apparatus shall not be exposed to dripping or splashing and that no objects filled with liquids, such as vases, shall be placed on this apparatus.

To reduce the risk of fire or electric shock, do not expose this apparatus to rain or moisture.

Do not use this apparatus near water. Install in accordance with the manufacturer's instructions. Do not install near any heat sources such as radiators, heat registers, stoves, or other apparatus (including amplifiers) that produce heat. Do not block any ventilation openings.

No naked flame sources, such as lighted candles, should be placed on the apparatus.

### IMPORTANT SAFETY INSTRUCTIONS

- Read these instructions.
- Follow all instructions.
- Keep these instructions.
- Heed all warnings.
- Only use attachments/accessories specified by the manufacturer.

#### • Power Cord and Plug

Do not defeat the safety purpose of the polarized or grounding type plug.

A polarized plug has two blades with one wider than the other. A grounding type plug has two blades and a third grounding prong. The wide blade or the third prong are provided for your safety. If the provided plug does not fit into your outlet, consult an electrician for replacement of the obsolete outlet.

Protect the power cord from being walked on or pinched particularly at plugs, convenience receptacles, and the point where they exit from the apparatus.

#### • Cleaning

When the apparatus needs a cleaning, you can blow off dust from the apparatus with

a blower or clean with rag etc.

Don't use solvents such as benzol, alcohol, or other fluids with very strong volatility and flammability for cleaning the apparatus body. Clean only with dry cloth.

#### • Servicing

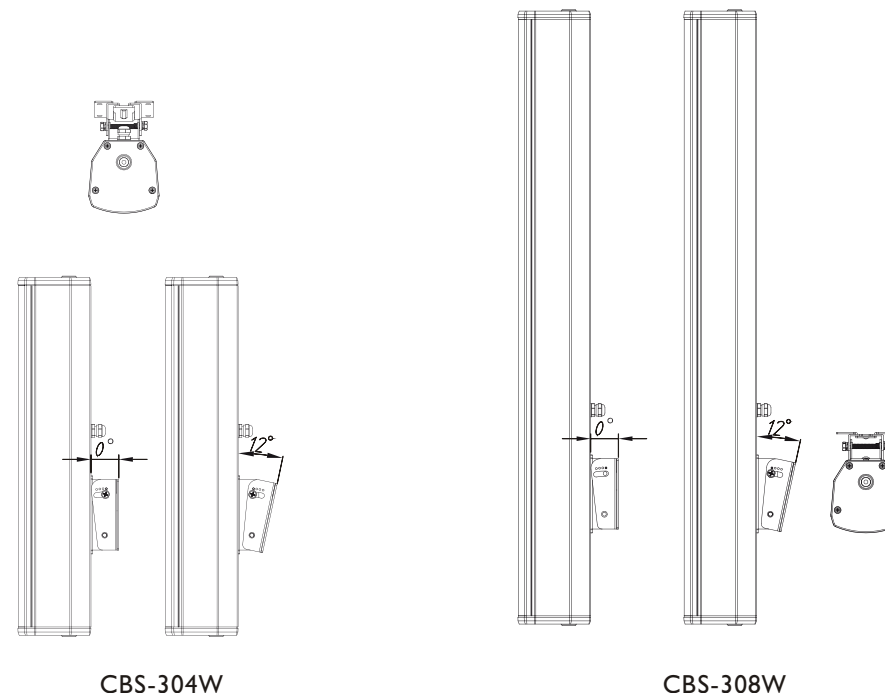
Refer all servicing to qualified personnel. To reduce the risk of electric shock, do not perform any servicing other than that contained in the operating instructions unless you are qualified to do so.

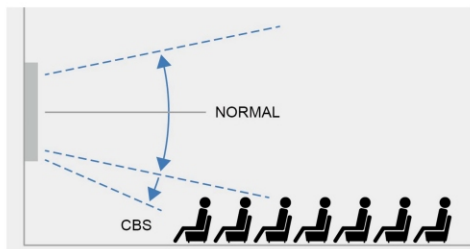
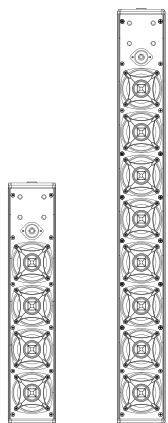
Servicing is required when the apparatus has been damaged in any way, such as power supply cord or plug is damaged, liquid has been spilled or objects have fallen into the apparatus, the apparatus has been exposed to rain or moisture, does not operate normally, or has been dropped.

## INSTALLATION

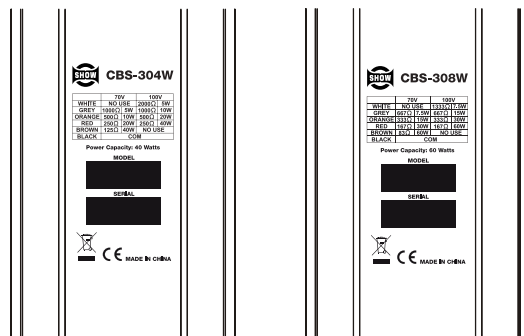
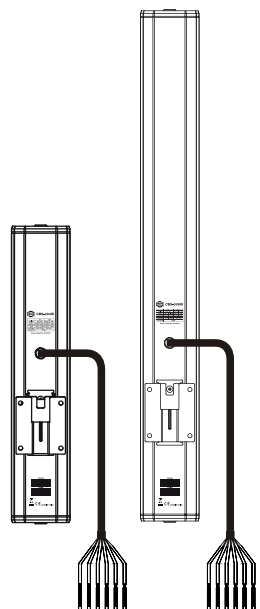
### CBS-304W / CBS-308W

- 1) Make sure the expansion screws of mounting brackets can firmly support the product weight before installation to avoid causing the injuries of the facilities and a worker if there is a falling.
- 2) Make sure the bracket is installed in vertical position and install expansion screw in the identified location.
- 3) Lock the bracket (in attached) to the wall enough tightly and ensure it's vertical between bracket and wall.
- 4) Remove the 2\*M5 screws on back of column and fix it to the racket via the screws (in attached). Please make the column straight and firmly locked.
- 5) Adjust the column to appropriate angle with bracket adjustable angle vertical  $0^{\circ} \sim 12^{\circ}$ .
- 6) Please first confirm the system you connected output of 100V, 70V. And make the cables connected.

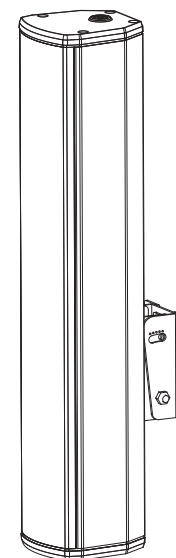


**INTRODUCTION**
**CBS-304W / CBS-308W Column Speaker**  
 (ALUMINUM)

**INTRODUCTION**

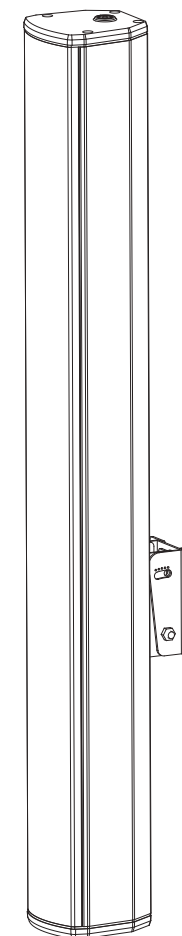
The CBS series is a professional column array speaker developed by SHOW. With 1.0mm mesh and 0.5mm grille, it can effectively protect unit from external damage and prevent dust into the speaker. Cabinet is made by aluminum alloy with coating, to make delicate touch. 4/8 pieces 3" full-range horn unit with linear paper cone, cloth surrounding can achieve high sensitivity. The system applies power transformers to switch power, effectively protect the units. To prevent high power input signal damage units, they can be used and parallel to avoid damage to the PA amplifier with low impedance. Locked bracket screws to fixed plate inside cabinet. The fixing iron plate with 3mm thickness can decompose the bracket pull force.

**BACK PANEL DESCRIPTION**

**CBS-304W / CBS-308W  
POWER SELECTIONS**

- 1) Do not connect BLACK and WHITE for 70V input
- 2) Do not connect BLACK and BROWN for 100V input



CBS-304W



CBS-308W

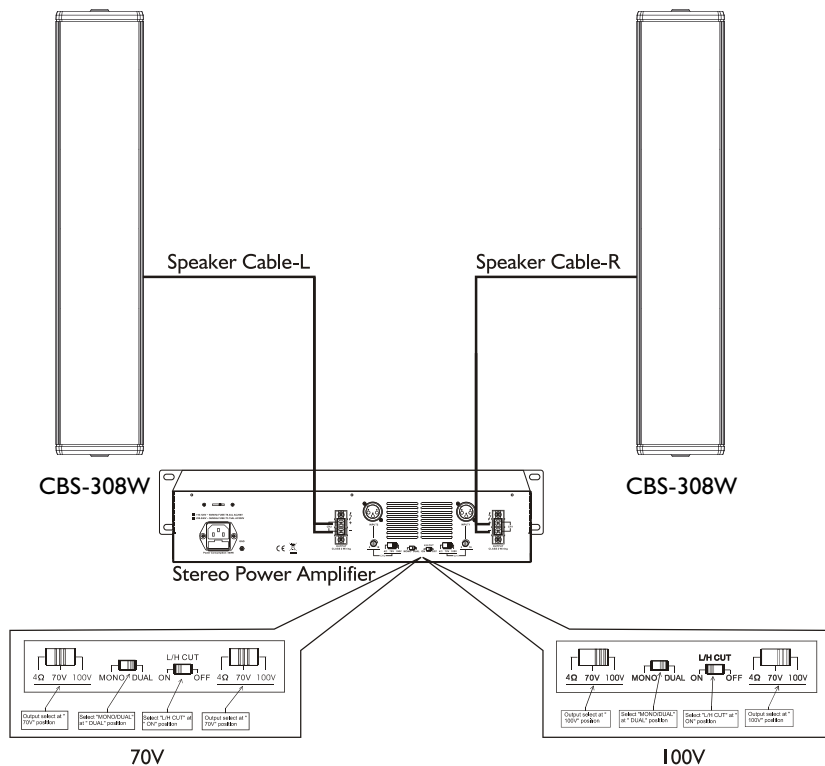
## SYSTEM CONNECTION PLATE

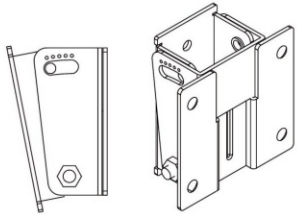
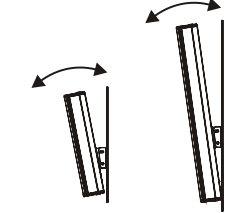
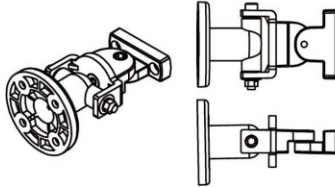
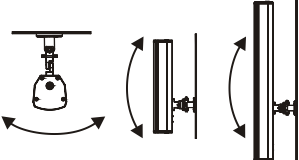
CH1/CH2 loaded with 70V, dual channel input:

1. Select "MONO/DUAL" at " DUAL" position, dual channel input;
2. CH1/CH2 output select at " 70V" position, both loaded with rated 70V speaker;
3. Select "L/H CUT" at " ON" position, to prevent low frequency protection and improve the transmission efficiency. Applicable to Public Address System.

CH1/CH2 loaded with 100V, dual channel input:

1. Select "MONO/DUAL" at " DUAL" position, dual channel input;
2. CH1/CH2 output select at " 100V" position, both loaded with rated 100V speaker;
3. Select "L/H CUT" at " ON" position, to prevent low frequency protection and improve the transmission efficiency. Applicable to Public Address System;



Accessories	Installation
<p><b>WMB-01</b> 1-Axis Adjustment Wall-Mounting Bracket <b>(Standard, including)</b></p> 	
<p><b>MB01</b> 2-Axis Adjustment Wall-Mounting Bracket <b>(Optional)</b></p> 	
<p><b>L bracket</b> 1-Axis Adjustment Wall-Mounting Bracket <b>(Optional)</b></p> 